

IR ENERGY LUXURY OUTDOOR COLLECTION

even**TUBE**® | even**GLO**® | the **Habanero**® | e**WAVE**™



USD Price List, Jan 1, 2023



Tarin Yankovich
Principal



Luxury Backyard
INTERNATIONAL, N A

www.lbina.com

tarin@lbina.com

1 (855) 855.8030 x626

Luxury Backyard

Table of Contents



evenGLO®Page 3 – 4



evenTUBE®Page 5 – 8



the Habanero®Page 9 –11



eWAVE™Page 12



HELIOSAPage 13

FEATURES

A true commercial grade, infrared heating solution you can always depend on for reliability and longevity.

- 3 years warranty - Best in class
- 58% more heat coverage than our top competitor
- Provides comfort to spaces within 20-24 ft in diameter
- Aesthetically appealing with mesmerizing glow







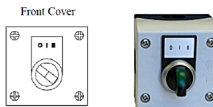

Confidential USA List Price—Effective: Jan 1, 2023

	316 MG S/S	Black Finish	Bronze Finish			
Model GA201M2 Portable Propane Patio Heater 46,000 BTU/hr Propane fueled Safety shut off tilt switch Includes durable wheel kit Easy access tank switch-outs						
SRP Part Number	E202PS	E202PBLJ	E202PBRM			
List Price	\$4,476.50	\$4,078.00	\$4,078.00			
Model GA301MP Portable Natural Gas or Propane Patio Heater for applications with a fixed gas supply 53,000 BTU/hr Includes durable wheel kit Choose from 12' or 15' hose kits with quick disconnects						
SRP Part Number	E202NS12 E202NS15	E202NBL12 E202NBL15	E202NBR12 E202NBR15			
List Price	\$4,772.60 \$4,788.20	\$4,226.10 \$4,264.00	\$4,226.10 \$4,264.00			
Model GA301M & GA301T&U Floor Mounted Fixed Patio Heater 53,000 BTU/hr Propane or Natural Gas options Operating with 24V or Manual Equipped with a welded flange suitable for four bolt mounting						
	Part # with T has 75" pole, without T has standard 63" pole					
SRP Part Number (Manual Ignition)	E301NMS	E301NMST	E301NMBL	E301NMBLT	E301NMBR	E301NMBRT
List Price	\$3,216.60	\$3,413.60	\$3,080.90	\$3,176.50	\$3,080.90	\$3,176.50
SRP Part Number (24V H/L Direct Ignition)	E301NUS	E301NTS	E301NUB	E301NTBL	N/A	
List Price	\$3,216.60	\$3,312.40	\$2,979.50	\$3,074.10		
Model GA301H The hanging mushroom gas patio heater 53,000 BTU/hr Propane or Natural Gas options			For Model GA301 MP, M, T, U, H please replace "N" in the part no to "P" for LPG version			
SRP Part Number (24V H/L Direct Ignition)	E301NHS	E301NHB				
List Price	\$3,629.60	\$3,181.00	N/A			



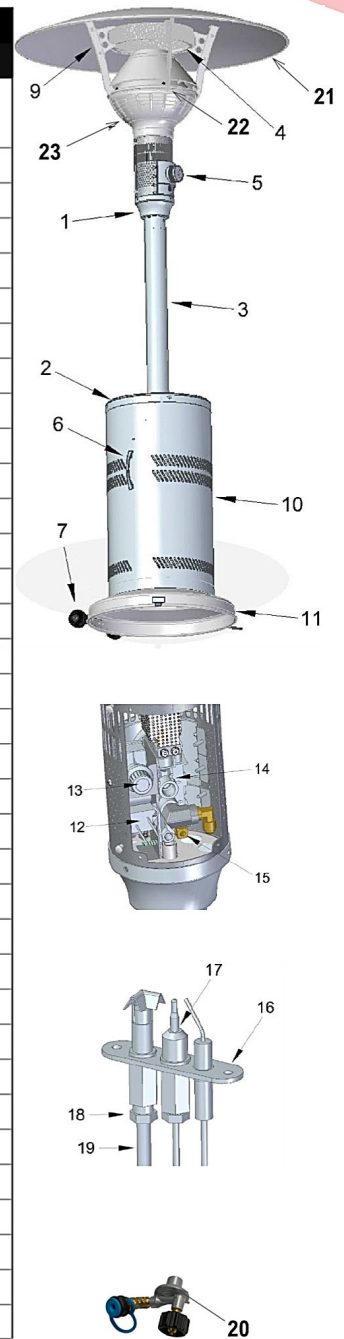
Confidential USA List Price—Effective: Jan 1, 2023

Accessories

Image	Part	Description	Compatible	Price
	EH105	All season cover	All Models	\$296.90
	SE004	Transformer 120/24V, 20VA for 1 heater Class 2 Not Wet, Class 3 Wet	GA301U/T/H	\$42.20
	SE009	Transformer 120/24V, 40VA for 2 heaters	GA301U/T/H	\$56.10
	SE010	Transformer 120/24V, 100VA for up to 5 heaters	GA301U/T/H	\$146.20
	EE020	Two Stage Control Switch, 24V (fixed mount, 3x3x3") Weather resistant for NEMA-4 Applications	GA301U/T/H	\$320.30
	ES082	Gas Connection Cover - 304 Stainless Steel	GA301U/T/M	\$162.60
	ES117	Gas Connection Cover - Powder Coat, Jet Black	GA301U/T/M	\$202.60
	ES234	Gas Connection Cover - Powder Coat, Med Bronze	GA301U/T/M	\$208.20

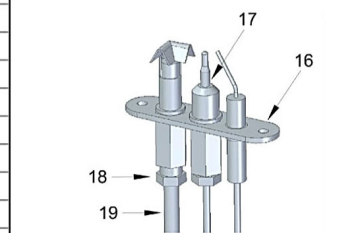
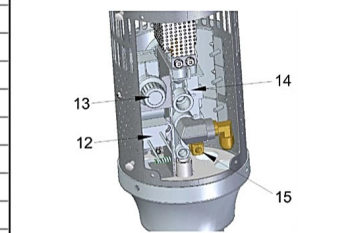
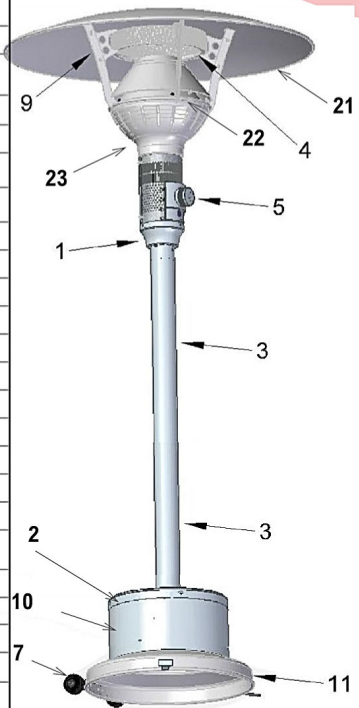
Confidential USA List Price—Effective: Jan 1, 2023
Replacement Parts Model GA201M2

Item	Part	Description	WGT (lbs)	List Price
1	RP-ES170S	Pole Neck, 316 Stainless Steel	1	\$261.80
	RP-ES170BRM	Pole Neck, Medium Bronze	1	\$249.30
	RP-ES170BLJ	Pole Neck, Jet Black	1	\$249.30
2	RP-ES171S	Tank Housing Top Cover, 316 Stainless Steel	N/A	\$272.70
	RP-ES171BRM	Tank Housing Top Cover, Medium Bronze	N/A	\$211.50
	RP-ES171BLJ	Tank Housing Top Cover, Jet Black	N/A	\$211.50
3	RP-ES172S	Pole Assembly, 316 Stainless Steel	N/A	\$258.20
	RP-ES172BRM	Pole Assembly, Medium Bronze	N/A	\$213.70
	RP-ES172BLJ	Pole Assembly, Jet Black	N/A	\$213.70
4	RP-ES011	Emitter Assembly	1.5	\$317.10
5	RP-EH016	Knob / Comfort Control Dial	0.1	\$51.50
6	RP-EH046	Tank Housing Handle with Hardware	N/A	\$37.80
7	RP-EH066	Wheel Assembly Kit S/S with hardware	N/A	\$216.30
9	RP-ES145S	Arm Assembly w/Shield Support & Hardware, 316 S/S	N/A	\$131.00
10	RP-ES161S	Tank Housing, 304 Stainless Steel	N/A	\$440.80
	RP-ES161BRM	Tank Housing, Medium Bronze	N/A	\$503.10
	RP-ES161BLJ	Tank Housing, Jet Black	N/A	\$503.10
11	RP-ES168S	Bottom Base, 304 Stainless Steel	N/A	\$498.70
	RP-ES168BRM	Bottom Base, Medium Bronze	N/A	\$395.20
	RP-ES168BLJ	Bottom Base, Jet Black	N/A	\$395.20
12	RP-EE034	Tilt Safety Switch with Hardware	0.1	\$77.70
13	RP-EE028	Battery Igniter	0.1	\$39.00
14	RP-EG036	Gas Valve w/fittings and Orifice LPG	1	\$240.50
15	RP-EG038	Thermocurrent Interrupter Block 11/32"	0.1	\$44.60
16	RP-EG068	Pilot Assembly LPG w/Thermocouple, SS Tube & Hardware	1	\$236.00
17	RP-EE038	Thermocouple 24"	1	\$80.10
18	KG015	2 Breakaway Pilot Nuts	N/A	\$6.50
19	RP-EG042	S/S Flexible Pilot Tube with 2 Breakaway Pilot Nuts	1	\$53.50
20	RP-EG056	Propane Gas Regulator with Quick Disconnect (GA201M2)	N/A	\$105.30
21	ES041	Top Reflector Package with Hardware	12	\$224.40
22	RP-ES233A	Outer Shield 316 Marine Stainless Steel (ES080 is obsolete)	1	\$173.70
	ES210PS	Heater Head Package S/S LPG	N/A	\$2,645.80
	ES210PBRM	Heater Head Package Medium Bronze LPG	N/A	\$2,630.70
23	ES210PBLJ	Heater Head Package Jet Black LPG	N/A	\$2,619.10



Confidential USA List Price — Effective: Jan 1, 2023
Replacement Parts Models GA301M (Fixed) & GA301MP (Portable)

Item	Part	Description	WGT. (lbs)	List Price
1	RP-ES170S	Pole Neck, 316 Stainless Steel	1	\$261.80
	RP-ES170BRM	Pole Neck, Medium Bronze	1	\$249.30
	RP-ES170BLJ	Pole Neck, Jet Black	1	\$249.30
2	RP-ES171S	Tank Housing Top Cover, 316 Stainless Steel	N/A	\$272.70
	RP-ES171BRM	Tank Housing Top Cover, Medium Bronze	N/A	\$211.50
	RP-ES171BLJ	Tank Housing Top Cover, Jet Black	N/A	\$211.50
3	ES312S	Pole Package 63", 316 Stainless Steel	N/A	\$777.30
	ES312BRM	Pole Package 63", Medium Bronze	N/A	\$718.80
	ES312BLJ	Pole Package 63", Jet Black	N/A	\$718.80
	ES313S	Pole Package 75", TALL* 316 Stainless Steel (GA301M only)	N/A	\$807.60
	ES313BRM	Pole Package 75", TALL* Medium Bronze (GA301M only)	N/A	\$773.60
	ES313BLJ	Pole Package 75", TALL* Jet Black (GA301M only)	N/A	\$773.60
4	RP-ES011	Emitter Assembly	1.5	\$317.10
5	RP-EH016	Knob / Comfort Control Dial	0.1	\$51.50
7	RP-EH066	Wheel Assembly w/bearing (GA301MP)	N/A	\$216.30
9	RP-ES145S	Arm Assembly w/Shield Support & Hardware, 316 S/S	N/A	\$131.00
10	RP-ES215SM	Base Housing, 304 Stainless (GA301MP)	N/A	\$193.70
	RP-ES215BRM	Base Housing, Medium Bronze (GA301MP)	N/A	\$209.30
	RP-ES215BLJ	Base Housing, Jet Black (model GA301MP)	N/A	\$209.30
	RP-ES168S	Bottom Base, 304 Stainless Steel (GA301MP)	N/A	\$498.70
11	RP-ES168BRM	Bottom Base, Medium Bronze (GA301MP)	N/A	\$395.20
	RP-ES168BLJ	Bottom Base, Jet Black (GA301MP)	N/A	\$395.20
12	RP-EE034	Tilt Safety Switch with Hardware	0.1	\$77.70
13	RP-EE028	Battery Igniter	0.1	\$39.00
14	RP-EG036	Gas Valve w/fittings and Orifice LPG	1	\$240.50
	RP-EG037	Gas Valve w/fittings and Orifice NG	1	\$240.50
15	RP-EG038	Thermocurrent Interrupter Block 11/32"	0.1	\$44.60
16	RP-EG067	Pilot Assembly NG w/Thermocouple, SS Tube & Hardware	1	\$194.80
	RP-EG068	Pilot Assembly LPG w/Thermocouple, SS Tube & Hardware	1	\$236.00
17	RP-EE038	Thermocouple 24"	1	\$80.10
18	KG015	2 Breakaway Pilot Nuts	N/A	\$6.50
19	RP-EG042	S/S Flexible Pilot Tube with 2 Breakaway Pilot Nuts	1	\$53.50
20	RP-EG063	Natural Gas Regulator with Quick Disconnect Kit	N/A	\$219.00
	RP-EG147	LPG Regulator with Quick Disconnect kit	N/A	\$296.00
21	ES041	Top Reflector Package with Hardware	12	\$224.40
22	RP-ES233A	Outer Shield 316 Marine Stainless Steel (ES080 is obsolete)	1	\$173.70
23	ES310NS	Heater Head Package S/S Nat Gas	N/A	\$2,569.90
	ES310NBRM	Heater Head Package Medium Bronze Nat Gas	N/A	\$2,606.10
	ES310NBLJ	Heater Head Package Jet Black Nat Gas	N/A	\$2,606.10
	ES310PS	Heater Head Package S/S LPG	N/A	\$2,569.90
	ES310PBRM	Heater Head Package Medium Bronze LPG	N/A	\$2,606.10
	ES310PBLJ	Heater Head Package Jet Black LPG	N/A	\$2,606.10
	ES310NST	Heater Head Package TALL* S/S Nat Gas	N/A	\$2,648.30
	ES310NBRMT	Heater Head Package TALL* Medium Bronze Nat Gas	N/A	\$2,693.50
	ES310NBLJT	Heater Head Package TALL* Jet Black Nat Gas	N/A	\$2,693.50
	ES310PST	Heater Head Package TALL* S/S LPG	N/A	\$2,648.30
	ES310PBRMT	Heater Head Package TALL* Medium Bronze LPG	N/A	\$2,693.50
	ES310PBLJT	Heater Head Package TALL* Jet Black LPG	N/A	\$2,693.50
24	EG065	Supply Hose Kit with Regulator 12' NG (GA301MP)	N/A	\$453.40
25	EG066	Supply Hose Kit with Regulator 15' NG (GA301MP)	N/A	\$502.60
24	EG072	Supply Hose Kit with Regulator 12' Propane (GA301MP)	N/A	\$524.80
25	EG145	Supply Hose Kit with Regulator 15' Propane (GA301MP)	N/A	\$567.30
-	EG053	Internal Hose 1/2" x 76" (for 63" POLE) Series GA301 Models U/H/M/MP (not shown)	N/A	\$133.60
-	EG071	Internal Hose 1/2" x 88" (for 75" POLE) Series GA301 Models T/M Tall (not shown)	N/A	\$167.00



*For TALL Heater Pole measuring 75" from bottom flange to top of Pole Neck.



IR Energy
 563 Barton Street
 Stoney Creek, ON L8E 5S1

Tel 1 905 664 9082 | TF 855 295 3922
 info@irenergy.ca | www.irenergy.ca
WE KEEP YOU OUTDOORS™

Confidential USA List Price — Effective: Jan 1, 2023
Replacement Parts Models GA301U, GA301T, GA301H

Item	Part	Description	WGT. (lbs)	List Price
1	ES041	Top Reflector Package	14	\$224.40
2	EG053	Internal Hose 1/2" x 76" (for 63" POLE) Series GA301 Models U/H/M/MP)	2	\$133.60
	EG071	Internal Hose 1/2" x 88" (for 75" POLE) Series GA301 Models T/M Tall)	2	\$167.00
3	RP-ES011	Emitter	15	\$317.10
4	RP-EE002	Flame Sensor	0.1	\$68.30
5	RP-EE001	Spark Electrode	0.1	\$77.20
6	RP-EE151	¥ Module, potted 24V DSI (Replaces channel 2021-154, 6 pin)	1	\$167.00
	RP-EE030	₹ Replacement Module Kit 24V (Replaces 2021-96, 5 pin)	1	\$225.60
7	EG002	Orifice—Natural Gas	0.1	\$8.20
	EG022	Orifice—LPG	0.1	\$11.70
8	RP-EG015	Gas Valve Assembly - Natural Gas (w/Orifice)	2	\$317.30
	RP-EG016	Gas Valve Assembly - LPG (w/Orifice)	2	\$317.30
N/S	EE004	Indicator Light Amber (not shown)	N/A	\$9.40
	EE010	Indicator Light Blue (not shown)	N/A	\$7.10
10	EG008	Burner Assembly w/ Flame & Spark electrodes	3	\$476.90
11	ES312BLJ	Pole Package Black 63" (Model GA301U)	23	\$718.80
	ES313BLJ	Pole Package Black 75" (Model GA301T)	23	\$773.60
	ES312S	Pole Package S/S 63" (Model GA301U)	23	\$777.30
	ES313S	Pole Package S/S 75" (Model GA301T)	23	\$807.60
N/S	RP-EE005	Ignition Wire (not shown)	0.1	\$33.40
12	RP-ES145S	Arm Assembly w/Shield Support, 316 S/S	1	\$131.00
N/A	RP-ES233A	Outer Shield 316 Marine S/S (ES080 is obsolete)	1	\$173.70

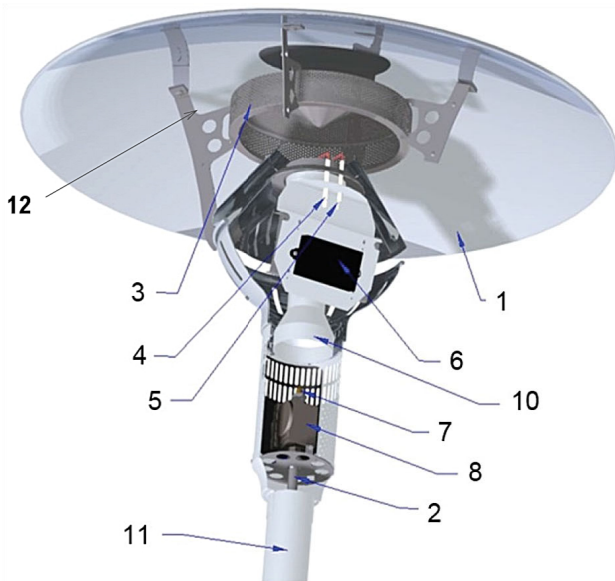
Important: EE009 (5 pin module) has been discontinued

¥ The EE151 (6 pin) module is the replacement for GA301 24VAC models purchased **after** Aug. 1, 2021

₹ The EE030 (6 pin) kit (includes module + wire harness) replacement for GA301 24VAC models purchased **before** Aug. 1, 2021

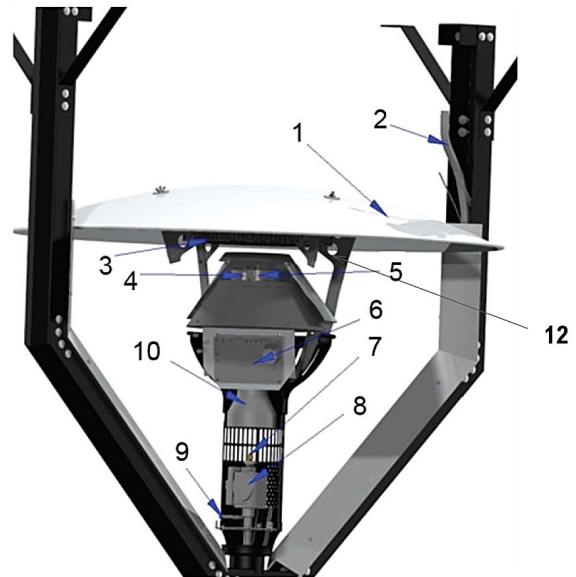
Models GA301U and GA301T

Floor Mount Models



Model GA301H

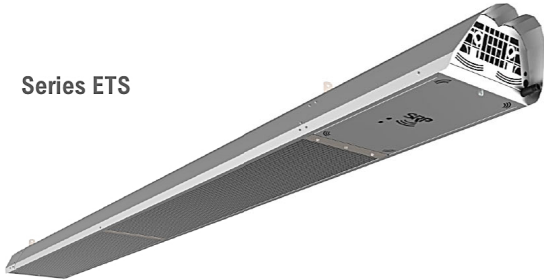
Hanging Model



FEATURES

Built to perform safely and dependably. The **ETS** gas-fired modulating two stage heater is the sleekest tube heater in the market at less than 7" deep delivers a modern, slim heating solution for indoor and outdoor applications.

Series ETS



- Modulating two stage heater
- Wind resistant up to 12 mph
- Effective for ceiling heights 9' to 16'
- Easy to install, maintenance free
- Clearance to combustibles as low as 4"
- Up to 50% electrical energy savings with powerful PSC motor
- Compatible with smart controls
- Approved for outdoor applications

Confidential USA List Price—Effective: Jan 1, 2023

All ETS heaters are made with Marine Grade Aluminum body and S/S hangers. To order a different finish please follow below index:

- ETSxxN(P) or EVxxN(P) - Marine Grade Aluminum
- ETSxxN(P)BL or EVxxN(P)BL- MG Aluminum with Black finish skin
- ETSxxN(P)MS or EVxxN(P)MS - MG Aluminum with 316 S/S finish



Part	Length	Description	MG Aluminum	Black Finish	MG 316 S/S Finish
ETS40N	9'	ETS Two-stage Heater 40,000 BTU NG (LPG)	\$3,071.90	\$4,100.30	\$4,163.80
ETS50N	9'	ETS Two-stage Heater 50,000 BTU, NG only	\$3,071.90	\$4,100.30	\$4,163.80
ETS60N	12'	ETS Two-stage Heater 60,000 BTU NG (LPG)	\$3,919.00	\$5,310.20	\$5,310.20
ETS80N	17'	ETS Two-stage Heater 80,000 BTU NG (LPG)	\$4,033.50	\$5,466.00	\$5,466.00
ETS100N	17'	ETS Two-stage Heater 100,000 BTU NG (LPG)	\$4,033.50	\$5,466.00	\$5,466.00

***Important:** ETS50 only available in Natural Gas

Optional Hanging Brackets Kit (includes hardware)*

Purchase separately from the heaters The two digits in the part number represent the length of the heater

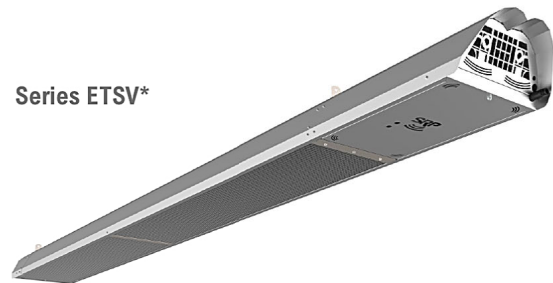
Horizontal ceiling mount bracket Kit 304 S/S	Non-combustible wall mount bracket kit - 30° Angle 304 S/S	NEW Combustible wall mount bracket kit - 30° Angle 304 S/S	Angle ceiling bracket kit - 30° angle 304 S/S	Horizontal ceiling mount bracket kit Black Finish S/S	Non-combustible wall mount bracket kit - 30° Angle Black Finish S/S	NEW Combustible wall mount bracket kit - 30° Angle Black Finish S/S	Horizontal ceiling bracket kit - 30° angle Black Finish S/S
ETSCB9S	ETSWB9S	ETSCW9S	ETSCAB9S	ETSCB9BL	ETSWB9BL	ETSCW9BL	ETSCAB9BL
\$86.60	\$84.20	\$106.40	\$84.20	\$100.50	\$111.10	\$140.30	\$111.10
ETSCB17S	ETSWB17S	ETSCW17S	ETSCAB17S	ETSCB17BL	ETSWB17BL	ETSCW17BL	ETSCAB17BL
\$95.90	\$106.40	\$140.30	\$106.40	\$125.10	\$146.20	\$190.60	\$146.20

Please note:

- * **9S** and **9BL** brackets suffix for models E40/50/60
- * **17S** and **17BL** brackets suffix for models E80/100

FEATURES

Built to perform safely and dependably. The patent-pending **ETSV** gas-fired modulating two stage heater is the sleekest tube heater in the market at less than 7” deep delivers a modern, slim heating solution for indoor and outdoor applications.



Series ETSV*

* Optional vent adapter to fit any vent accessory in the market

- Modulating two stage heater
- Wind resistant up to 12 mph
- Effective for ceiling heights 9’ to 16’
- Easy to install, maintenance free
- Clearance to combustibles as low as 2”
- Up to 50% electrical energy savings with powerful PSC motor
- Compatible with smart controls
- Ideal for indoor vented or outdoor unvented applications

Confidential USA List Price—Effective: Jan 1, 2023

All ETSV heaters are made with Marine Grade Aluminum body and S/S hangers. To order a different finish please follow below index:			MG Aluminum	Black Finish
<ul style="list-style-type: none"> • ETSVxxN(P) or EVxxN(P) - Marine Grade Aluminum • ETSVxxN(P)BL or EVxxN(P)BL- MG Aluminum with Black finish skin 				
Part	Length	Description	Price	
ETSV40N	12'	ETSV Two-stage Heater 40,000 BTU NG (LPG), Vented	\$3,250.00	\$4,508.90
ETSV60N	17'	ETSV Two-stage Heater 60,000 BTU NG (LPG), Vented	\$3,556.10	\$5,217.80
ETSV80N	22'	ETSV Two-stage Heater 80,000 BTU NG (LPG), Vented	\$3,877.70	\$6,070.30





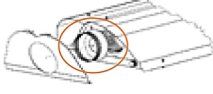

Optional Hanging Brackets Kit (includes hardware)* - Purchase separately from the heaters The two digits in the part number represent the length of the heater

Horizontal ceiling mount bracket Kit 304 S/S	Non-combustible wall mount bracket kit - 30° Angle 304 S/S	Combustible wall mount bracket kit - 30° Angle 304 S/S	Angle ceiling bracket kit - 30° angle 304 S/S	Horizontal ceiling mount bracket kit Black Finish S/S	Non-combustible wall mount bracket kit - 30° Angle Black Finish S/S	Combustible wall mount bracket kit - 30° Angle Black Finish S/S	Horizontal ceiling bracket kit - 30° angle Black Finish S/S
ETSVCB12S	ETSVWB12S	ETSVCW12S	ETSV CAB12S	ETSVCB12BL	ETSVWB12BL	ETSVCW12BL	ETSV CAB12BL
\$93.50	\$143.90	\$177.70	\$99.50	\$122.80	\$178.90	\$218.70	\$142.60
ETSVCB22S	ETSVWB22S	ETSVCW22S	ETSV CAB22S	ETSVCB22BL	ETSVWB22BL	ETSVCW22BL	ETSV CAB22BL
\$105.30	\$164.90	\$210.40	\$116.90	\$150.80	\$215.10	\$268.80	\$178.90

Please note:

- * **12S and 12BL brackets** suffix for models EV40
- * **22S and 22BL brackets** suffix for models EV60/80

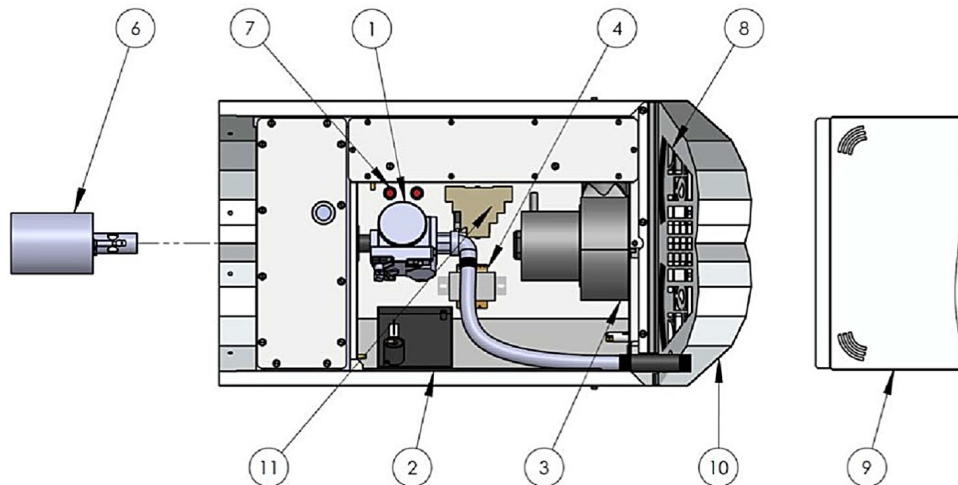
Optional Accessories — Confidential USA List Price — Effective: Jan 1, 2023

Image	Part	Description	Price
	CH161	Chain Kit, 20ft	\$74.80
	CH162	Gripple Hanging kit, 15ft	\$24.50
	CG011	Shut-Off Safety Valve 1/2"	\$20.00
	CG012	Gas Flex Connector, 1/2" x 24", Stainless Steel	\$43.40
	EE020	Two Stage Control Switch, 24V (fixed mount, 3x3x3") Weather resistant for NEMA-4 Applications	\$320.30
	CE391	Timer Kit, Cube Relay, 10-20 AMPS Adjustable up to 60 minutes (Field installed)	\$114.60
	CE403	Relay Kit 2-Stage ETS GEN 2, PCB (Field installed) For GEN I heater, please order part No. CE402 (field installed)	\$65.50
	CS186	4" Vent Adapter - Metal-Fab Exclusively for ETSV	\$112.20
	CT171	4" Vent Adapter Kit - including CS187 Z-FLEX vent adapter and 3 EH013 S/S #8x1/2" screws Exclusively for ETSV	\$112.20
	CT170	Vent Terminal Assembly, 4", Chrome Exclusively for ETSV	\$95.90
	CT175	Vent Terminal Assembly, 4", Painted Hi-Temp Black Exclusively for ETSV	\$120.50
	CS181	Fresh Air Kit, Exclusively for ETSV40	\$84.20
	CS182	Fresh Air Kit, Exclusively for ETSV60/80	\$84.20

Replacement Parts - Confidential USA List Price—Effective: Jan 1, 2023

Item	Part	Description	Price
1	RP-UG107	Valve Train Replacement Kit NG, ETS/ETSV	\$260.40
	RP-UG108	Valve Train Replacement Kit LP, ETS/ETSV	\$260.40
2	RP-CE201	Ignition Module	\$343.20
	RP-CE202	Wire Harness w/5 pin PLUG to Ignition Module	\$38.30
3	RP-CE382	Blower Motor Assembly w/ PSC 2SPD Motor	\$189.50
4	RP-CE058	Transformer, 115V to 24VAC, 40VA	\$43.00
5 (Not Shown)	RP-CE029	For ETS40: Air Switch w/ Bracket, 0.59" W.C.	\$43.90
	RP-CE021	For ETSV40: Air Switch w/ Bracket, 0.55" W.C.	\$89.10
	RP-CE022	For ETS50: Air Switch w/ Bracket, 0.45" W.C.	\$89.10
	RP-CE028	For ETS60 / ETSV60: Air Switch w/ Bracket, 0.78" W.C.	\$50.70
	RP-CE160	For ETS80 / ETS100 / ETSV80 : Air Switch w/ Bracket, 0.44" W.C.	\$89.10
6	RP-UG001P	Burner Cup	\$105.30
	RP-CE002	Electrode for Sparking	\$25.20
	RP-CE003	Electrode for Flame Sense	\$23.50
	RP-CE006	Wire, Ignition	\$21.40
	RP-CE036	Wire, Flame Sense	\$16.80
7	RP-CE057	Operation Light, Amber, 28VAC	\$19.70
8	US225ALC	Grill Assembly - Aluminum (Black & Marine Grade S/S options available)*	\$49.00
9	ESCP1R	Service Cover Pack (Black & Marine Grade S/S options available)*	\$132.50
10	US234AL	Cowling Aluminum (Black & Marine Grade S/S options available)*	\$77.20
11	RP-CE173	Blower Motor Relay 24V	\$36.50
12 (Not Shown)	RP-CE010	Power Cord	\$26.20

* Contact your SRP sales rep for more information.



the Habanero™

RADIANT PATIO HEATER



FEATURES

The most powerful spot heating solution in the market

- No blower = No noise
- Polished heat reflector
- Hi/low/Off Dual heat output control
- Available in 33" and 48" lengths
- As low as 3" top clearance
- New 'High-Grid' technology substantially decreases heat loss
- Protect against flame lift-offs from extreme wind conditions



- Black Finish - Marine Grade Aluminum Powder Coated with High Temperature Black Paint
- Unvented Natural Gas only

Confidential USA List Price—Effective: Jan 1, 2023

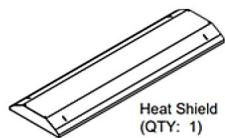
	304 Brushed S/S	Black Finish *		
Model M20 33" Lengths 15,000 BTU (low) 20,000 BTU (high)				
SRP Part Number	HAB20NS	HAB20NBL		
List Price	\$2,728.10	\$3,094.20		
Model M40 48" Lengths 32,000 BTU (low) 40,000 BTU (high)				
Model M50 48" Lengths 42,000 BTU (low) 50,000 BTU (high)				
SRP Part Number (Model M40)	HAB40NS	HAB40NBL		
List Price	\$3,055.20	\$3,622.90		
SRP Part Number (Model M50)	HAB50NS	HAB50NBL		
List Price	\$3,055.20	\$3,622.90		
Standard Mounting Kit (Purchase separately from the units) Brush finish with Stainless Unistrut, 2B finish, includes hardware to attach heater and Unistrut to brackets				
SRP Part Number (All models)	HS060S	HS060BL		
List Price	\$425.20	\$333.20		
Ultimate Mounting Kit (Purchase separately from the units) HSXXXXS - 304 Stainless Steel Brush Finish with Stainless Unistrut 2B Finish; HSXXXXBL - High Temperature Black Powder Coat	 Drawing for M20 Order HS040_ Hanging Brk Assembly (QTY: 1) Unistrut 18.0" Long (QTY: 2) Extension Arm Hanging Bracket (QTY: 2)	 Drawing for M40/M50 Order HS043_ Hanging Bracket Assembly (QTY: 1) Unistrut 18.0" Long (QTY: 2) Extension Arm Hanging Bracket (QTY: 2)		
SRP Part Number (All models)	HS040S	HS040BL	HS043S	HS043BL
List Price	\$672.00	\$532.90	\$755.00	\$535.30



Low Clearance Mounting Kit - Confidential USA List Price — Effective: Jan 1, 2023

Drawing for M20 Order HS041_

Drawing for M40 and M50 Order HS044_ in addition to Standard/Ultimate Kit



Heat Shield
(QTY: 1)



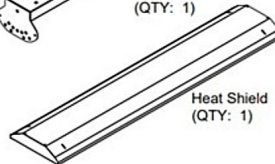
Low Clearance
Mounting Bracket
(QTY: 2)



Heat Shield
Mounting Bracket
(QTY: 4)



(QTY: 1)



Heat Shield
(QTY: 1)



Heat Shield
Mounting Bracket
(QTY: 4)

HS041S

HS041BL

HS044S

HS044BL

(M20)

(M20)

(M40/50)

(M40/50)

\$275.90

\$280.50

\$250.20

\$260.80

HSXXXS - 304 Stainless Steel Brush Finish with Stainless Unistrut 2B Finish; HSXXXBL - High Temperature Black Powder Coat
Both HS041_ and HS044_ Low Clearance kit are horizontal mounting ONLY!

Optional Accessories - Confidential USA List Price — Effective: Jan 1, 2023

Image	Part	Description	Price
	SE004	Transformer 120/24V, 20VA for 1 heater Class 2 Not Wet, Class 3 Wet	\$42.20
	SE009	Transformer 120/24V, 40VA for 2 heaters	\$56.10
	SE010	Transformer 120/24V, 100VA for up to 5 heaters	\$146.20
	EE020	Two Stage Control Switch, 24V (fixed mount, 3x3x3) Weather resistant for NEMA-4 Applications	\$320.30
	CG012	Gas Flex Connector, 1/2" x 24", Stainless Steel	\$43.40
	CG011	Shut-Off Safety Valve 1/2"	\$20.00

the Habanero™

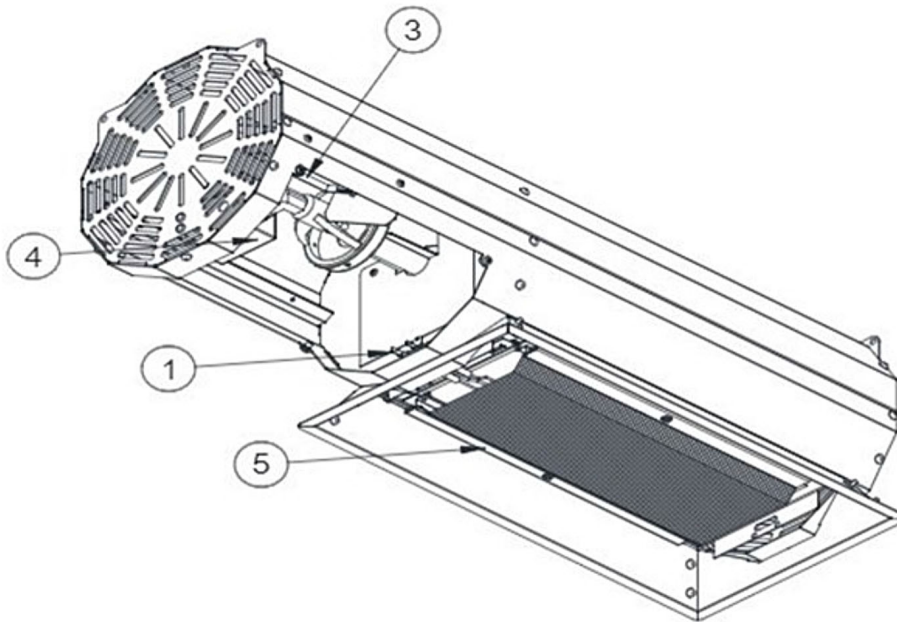
RADIANT PATIO HEATER

Replacement Parts - Confidential USA List Price — Effective: Jan 1, 2023

Item	Part	Description	Price
1	RP-HE001	Spark Electrode	\$105.30
	CE052	Silicone Boot over Electrode Terminal	\$4.50
2	RP-CE006	Ignition Wire (not shown)	\$21.40
3	RP-EE151	Module, potted 24V DSI (Replaces Channel Module 2021-154, 6 pin)	\$167.00
	RP-EE009	Replacement Module Kit Habanero (Replaces Channel Module 2021-96, 5 pin)	\$187.10
4	HG006	Gas Valve NAT - HAB20	\$200.40
	HG007	Gas Valve NAT - HAB40 & HAB50	\$213.90
5	HG003	Burner Assembly HAB-M20	\$1,373.20
	HG004	Burner Assembly HAB-M40 and HAB-M50	\$1,928.40
N/S	RP-HE002	Wire Harness 5 Pin (for Channel Module 2021-96)	\$36.70
	RP-HE006	Wire Harness 6 Pin (for Channel Module 2021-154)	\$40.30

Important: EE009 (5-pin) has been discontinued

- The RP-EE009 (6 pin) kit (includes module + wire harness) replacement for HAB heaters purchased **before** Aug. 1, 2021
- The EE151 (6 pin) module is the replacement for HAB heaters purchased **after** Aug. 1, 2021



FEATURES



Long Wave Model

Medium Wave Model

- Modern European design
- High efficiency - even heat pattern
- Corrosion resistant
- Built-in waterproof junction box
- Long & medium energy absorption
- Premium warranty with complete replacement
- Made from 100% recyclable material
- Flexible mounting adjustment from 10 to 50 degree
- Engineered brackets included for easy installation and maintenance
- Compatible with smart technology

Medium Wave Models

The eWAVE medium wave model combines the elegance of the long wave design with the Schott Nextrema® glass, which provides infrared transparency of almost 90% and is comfortable to the human eye. Certified for indoor and outdoor applications, available at 1800W, & 120V, or 240V, single phase.



Confidential USA List Price — Effective: Jan 1, 2023

Part	Price	Dimensions (inches)			Output Wattage	Supply				Weight (lbs)	Remote Control
		Height	Width	Length		Phase	Amp Draw	Frequency	Voltage		
EW18M12	\$1,112.60	3	10	41	1800 W	1	15 A	60 Hz	120 V	15.7	
EW18M12V	\$1,297.20	3	10	43	1800 W	1	15 A	60 Hz	120 V	16.8	x
EW18M24	\$1,112.60	3	10	41	1800 W	1	7.5 A	60 Hz	240 V	15.7	
EW18M24V	\$1,297.20	3	10	43	1800 W	1	7.5 A	60 Hz	240 V	16.8	x

Suffix **V** for factory installed remote control option. Please note: The majority of residential houses use a single phase supply

Long Wave Models

The eWAVE long wave model thick black anodized coating further enhances the performance while protecting against the elements. Certified for indoor and outdoor applications, available heat output settings 1500W, 3000W, 3200W, and 4500W, single or 3 phase.



Confidential USA List Price — Effective: Jan 1, 2023

Part	Price	Dimensions (inches)			Output Wattage	Supply				Weight (lbs)	Connection
		Height	Width	Length		Phase	Amp Draw	Frequency	Voltage		
EW15L12	\$914.00	3	8	57	1500 W	1	12.5 A	60 Hz	120 V	16.5	
EW32L24	\$1151.30	3	8	89	3200 W	1	13.3 A	60 Hz	240 V	25.1	
EW30L20Y	\$1321.90	3	10	73	3000 W	3	8.3 A x 3	60 Hz	208 V	27.6	Y
EW30L24D	\$1321.90	3	10	73	3000 W	3	7.2 A x 3	60 Hz	240 V	27.6	Δ
EW45L24D	\$1477.20	3	10	96	4500 W	3	10.8 A x 3	60 Hz	240 V	35.9	Δ
EW45L48Y	\$1477.20	3	10	96	4500 W	3	5.4 A x 3	60 Hz	480 V	35.9	Y
EW45L48D	\$1477.20	3	10	96	4500 W	3	5.4 A x 3	60 Hz	480 V	35.9	Δ
EW45L60Y	\$1477.20	3	10	96	4500 W	3	4.3 A x 3	60 Hz	600 V	35.9	Y
EW45L60D	\$1477.20	3	10	96	4500 W	3	4.3 A x 3	60 Hz	600 V	35.9	Δ

Please note: The majority of residential houses use a single phase supply.



HELIOSA

Hi-Design Heaters Made in Italy



@SRPHEAT

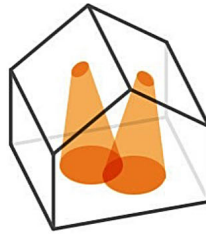
FEATURES

Shortwave heaters are developed to provide the best heating performance with engineered parabolic internal reflectors. Lightweight and easy to install, they can direct heat to people or things based on your heating requirements. Certified for indoor and outdoor applications, available at 1500W, 220-240V.

- IPX5 Weather Resistance - halogen bulb is not affected by direct contact of rain or snow
- Adjustable wall mount - L-bracket included
- Cast iron, epoxy powder coated - cast iron finish blends perfectly with outdoor environments
- 1500 Watts, 220/240 Volts
- Halogen bulb - creates instant short-wave heat
- 1-year warranty includes a 1500 hour bulb life guarantee!



Direct the heat where you need it when you need it and with no dispersion.






Ideal solution for buildings or large indoor areas where a conventional heating system cannot be used or would be difficult to install.



Just as the sun heats the earth, infrared heaters heat people and objects directly, providing great comfort.

Confidential USA List Price — Effective: Jan 1, 2023

	11FMX5	55FMX5	66FMX5
Model			
Price	\$526.00	\$549.30	\$613.70
Recommended hanging height (ft)	7'	7'	7'
Heat coverage (H x L x W)	7' x 7' x 7'	7' x 14' x 14'	7' x 16' x 16'
BTU's	5100		
Dimensions (L x W x H)	17.5" x 3" x 3.5"	18" x 4" x 8.5"	20" x 5.5" x 8.5"
Power Supply	220V - 240V single phase		
Amps	6.25		
Hz	50/60		
Weather rating	IPX5		
Weight (lbs)	2	4.63	4.63
Cable length (ft)	4.9		



IR Energy
563 Barton Street
Stoney Creek, ON L8E 5S1

Tel 1 905 664 9082 | TF 855 295 3922
info@irenergy.ca | www.irenergy.ca
WE KEEP YOU OUTDOORS™